



COUNTY OF NEVADA
COMMUNITY DEVELOPMENT AGENCY
 950 MAIDU AVENUE NEVADA CITY, CA 95959-8617
 (530) 265-1222 FAX (530) 265-9854 www.mynevadacounty.com/cda

Planning Department
 Fax (530) 265-9851

Environmental Health
 Fax (530) 265-9853

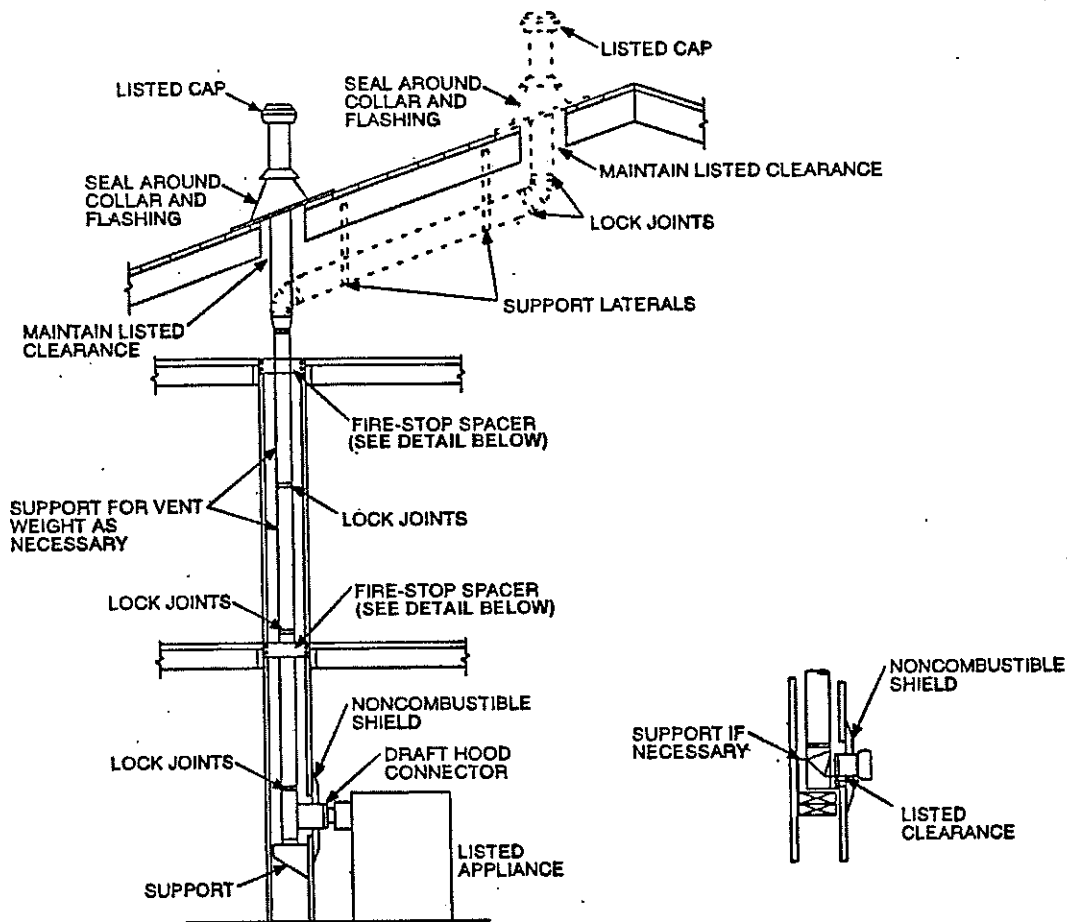
Building Department
 Fax (530) 265-9854

Code Compliance
 Fax (530) 265-9851

Housing Division
 Phone (530) 265-1388
 Fax (530) 265-9845

Agricultural Commissioner
 255 S. Auburn Street
 Grass Valley, CA
 Phone (530) 273-2648
 Fax (530) 273-1713

TYPE B VENTING
 (California Mechanical Code Section 807)



TYPICAL TYPE B ROUND VENTING SYSTEM

